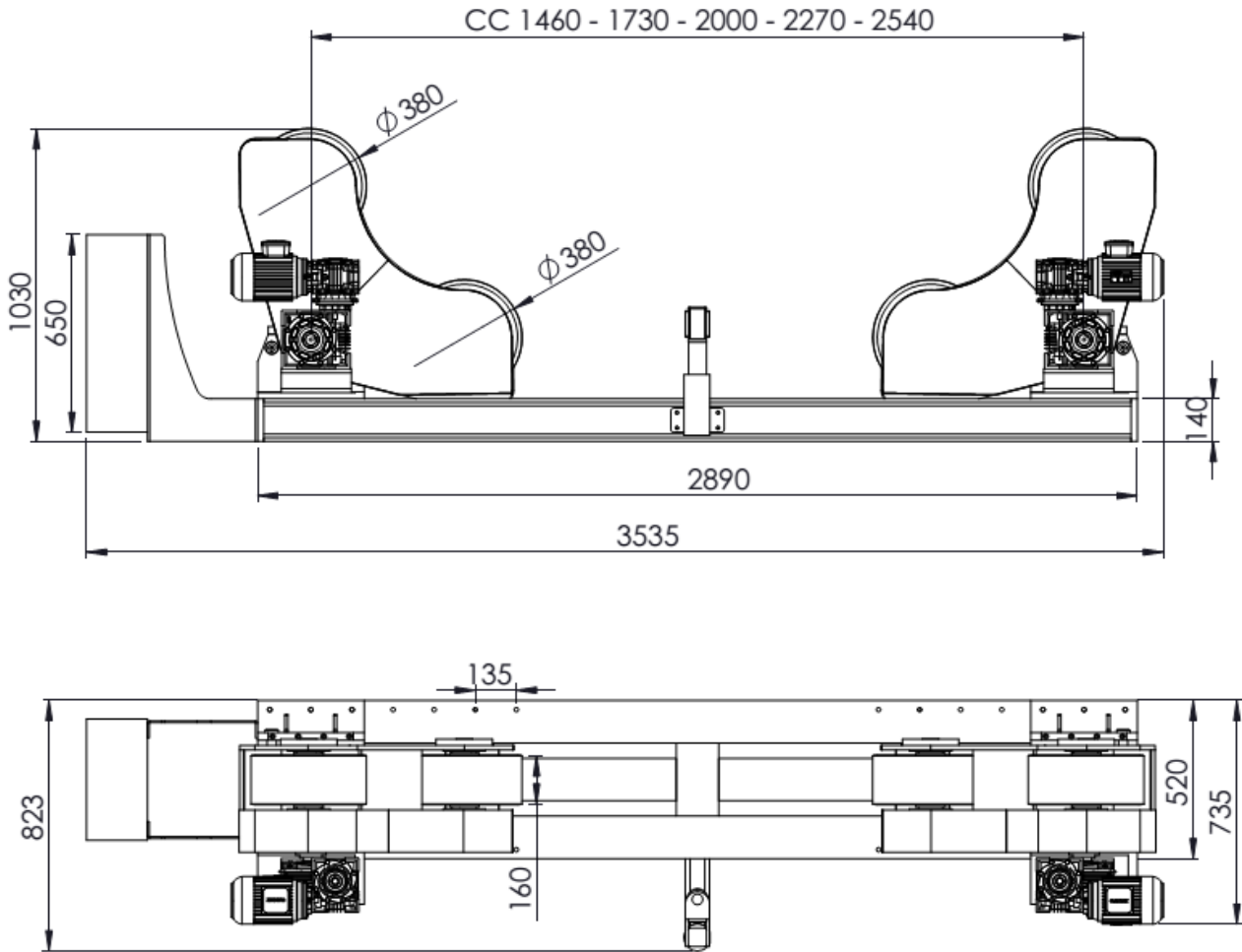
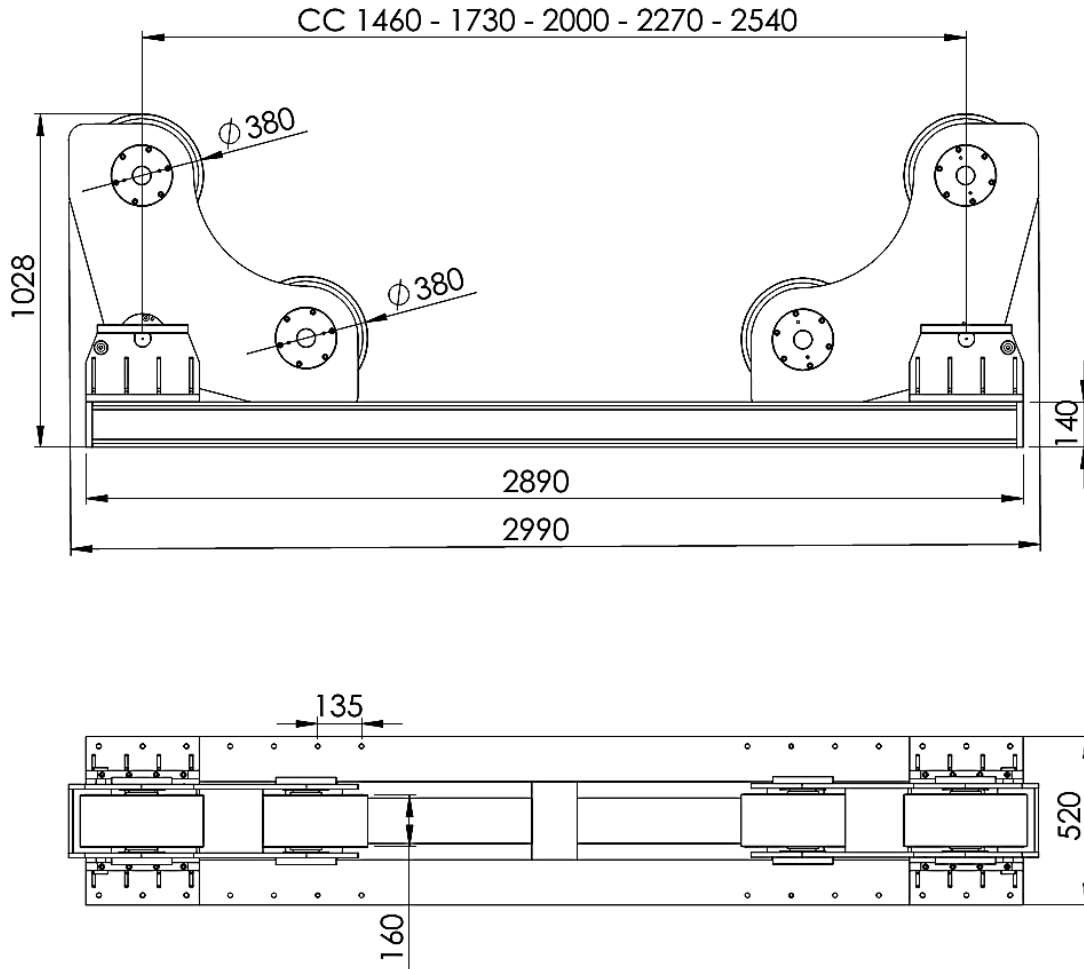


Technical Specifications – 30 Ton / DRIVE



Loading Capacity	15 ton
Rotation Capacity	30 ton
Vessel Size Min on 2 Wheels	Ø500mm @ 60° included angle, @1460mm CC
Vessel Size Minimum on 4 Wheels	Ø1150 mm @ 90° included angle, @ 1460mm CC
Vessel Size Maximum on 4 Wheels	Ø2600mm @ 90° included angle, @2540mm CC
Vessel Size Max. when self aligned	Ø4500mm @ 50° included angle, @2540mm CC
Roller Type and Size	Polyurethan Coating, 1x380mm Diameter – 1x160mmWidth
Rotation Speed	125mm – 1250 mm /min @ 5 Hz – 50 Hz Range
Rotation Drive Motor	2x AC 1,1 kW Motor
Rotation Drive Control	AC 2,2 kW Inverter
Travel Car(Rail Car)	No
Travel Car Speed	Not Available
Travel Car Drive	Not Available
Electrical Panel	Yes
Incoming Supply	380V/400V, 3Ph, 50Hz @ 5 – 50 Hz
Control Unit	Telemecanique hand pendant with 5 mt cable protected in flexible steel hose
Colour	RAL5005 – BLUE & RAL7032 – BEIGE / Texture Painting
Quantity	1 unit
Anti Creep	1 unit included

Technical Specifications – 30 Ton / IDLER



Loading Capacity	15 ton
Rotation Capacity	Not Available
Vessel Size Min on 2 Wheels	Ø500mm @ 60° included angle, @1460mm CC
Vessel Size Minimum on 4 Wheels	Ø1150 mm @ 90° included angle, @ 1460mm CC
Vessel Size Maximum on 4 Wheels	Ø2600mm @ 90° included angle, @2540mm CC
Vessel Size Max. when self aligned	Ø4500mm @ 50° included angle, @2540mm CC
Roller Type and Size	Polyurethan Coating, 1x380mm Diameter – 1x160mmWidth
Rotation Speed	Not Available
Rotation Drive Motor	Not Available
Rotation Drive Control	Not Available
Travel Car(Rail Car)	No
Travel Car Speed	Not Available
Travel Car Drive	Not Available
Electrical Panel	No
Incoming Supply	No
Control Unit	Not Available
Colour	RAL5005 – BLUE & RAL7032 – BEIGE / Texture Painting
Quantity	1 unit
Anti Creep	Not Available